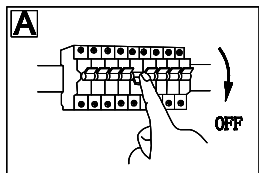


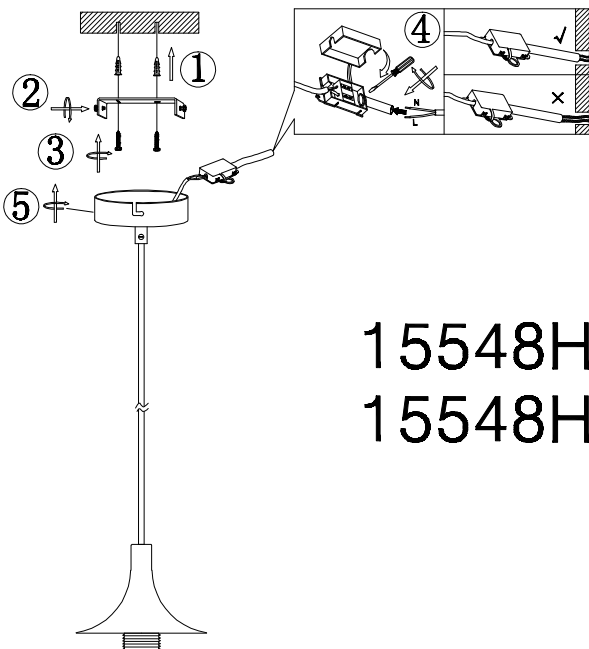
# GLOBO

LIGHTING

www.globo-lighting.com

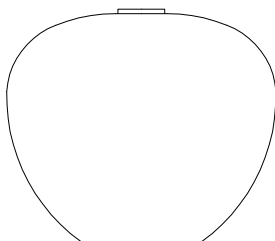


**B**

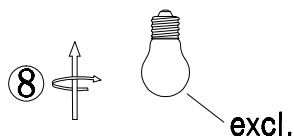
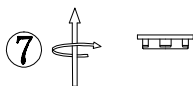


15548H  
15548H1

⑥ ↑



1x MAX 60W E27  
230V~ 50Hz



GLOBO Handels GmbH  
Gewerbstrasse 3  
A-9184 Sankt Peter  
Austria

